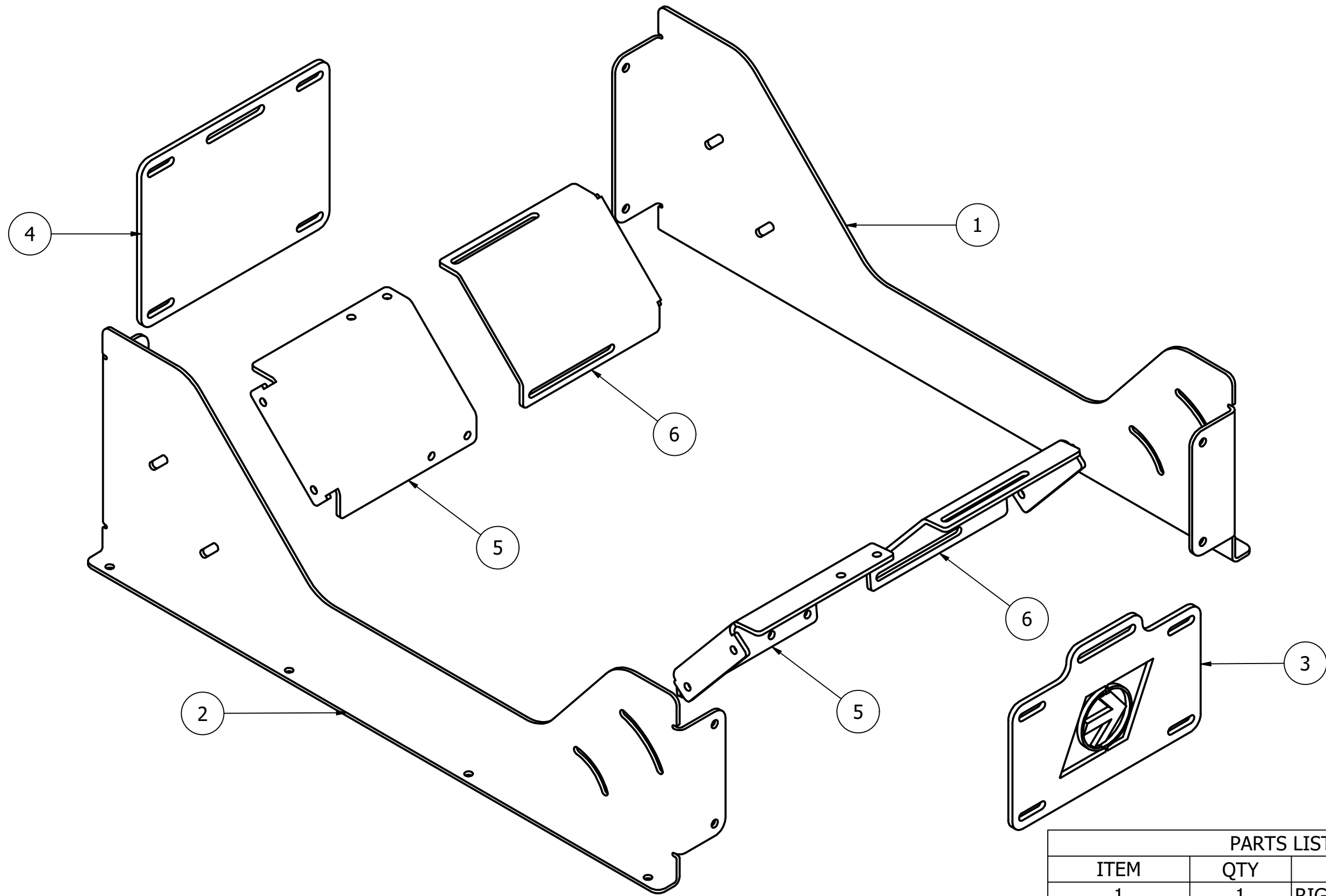


HARDWARE LIST

QTY	DESCRIPTION
32	M8X20 BUTTON SOCKET BOLTS
32	M8 NYLOCK NUTS
64	M8 FLAT WASHERS

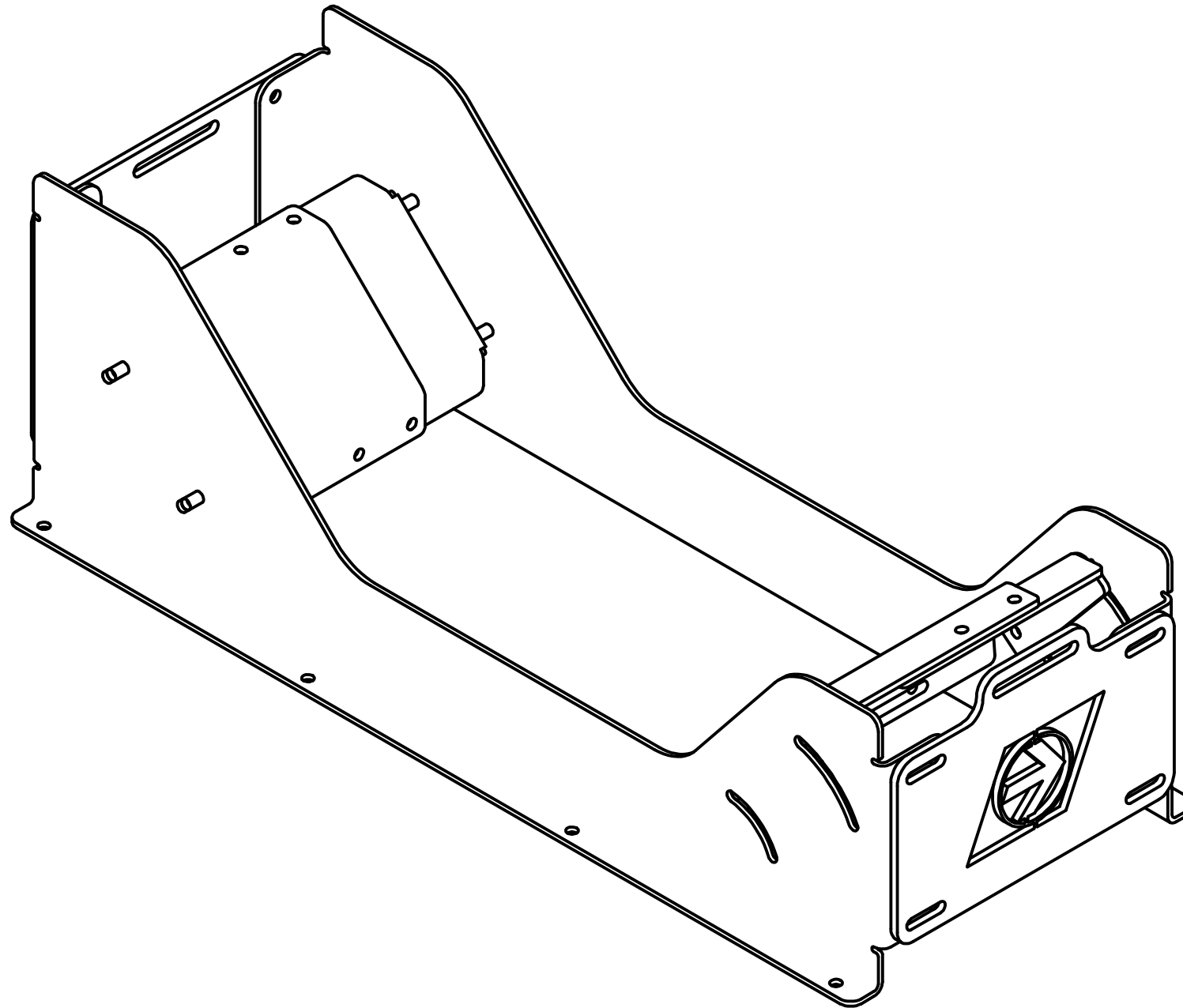


PARTS LIST		
ITEM	QTY	DESCRIPTION
1	1	RIGHT
2	1	LEFT
3	1	FRONT
4	1	REAR
5	2	UPPER SUPPORT
6	2	LOWER SUPPORT

EXPLODED VIEW

HARDWARE LIST

QTY	DESCRIPTION
32	M8X20 BUTTON SOCKET BOLTS
32	M8 NYLOCK NUTS
64	M8 FLAT WASHERS



PARTS LIST

ITEM	QTY	DESCRIPTION
1	1	RIGHT
2	1	LEFT
3	1	FRONT
4	1	REAR
5	2	UPPER SUPPORT
6	2	LOWER SUPPORT

ASSEMBLED VIEW